



**OFFICE OF THE PRINCIPAL, GOVERNMENT POLYTECHNIC, BOUDH,
AT-NUAPALI (GAUDADEI) , PO-KHUNTIAPADA, VIA-BAGHIAPADA, BOUDH-762026.
Email : principalgpboudh@gmail.com**

Notice No. 257 /dated 24.06.2020

Sealed quotations are hereby invited from the Manufacturer/ Suppliers/ Distributors having valid GST Number for supply of a Drawing Table for Government Polytechnic, Boudh. Interested Firms / Suppliers/ distributors are requested to submit the sealed quotation as per the following specifications in the address of the Principal, Government Polytechnic, Boudh through speed post/registered post or by hand on or before **22.07.2020 by 3.00 PM**, super scribing in the envelop "Quotation for Drawing Table" and the quotations are to be opened on **22.07.2020 at 04.00 PM** in the presence of the representative of the intending bidders/suppliers, if they so like. Other terms and conditions are as per the following.

Terms and Condition

1. Quotation are to be clearly typed without correction and should be sent by Registered Post / Speed Post / by hand to the under signed with leaflets if applicable. No alternative items should be quoted to avoid confusion.
2. The rate should be net inclusive of all taxes and delivery at main store of the Institution. The validity of quotation is at least six month from 22.07.2020 i.e the last date of submission of quotation.
3. The quotation should clearly mention the specifications offered in the notice.
4. The undersigned reserves all rights to accept or reject the quotation in full or part thereof without assigning any reason.
5. Only firms with valid GST Number should submit the quotation.
6. Payments will be released through RTGS/ NEFT/ Cheque mode only after successful installation/ demonstration by the firm.

Description of items

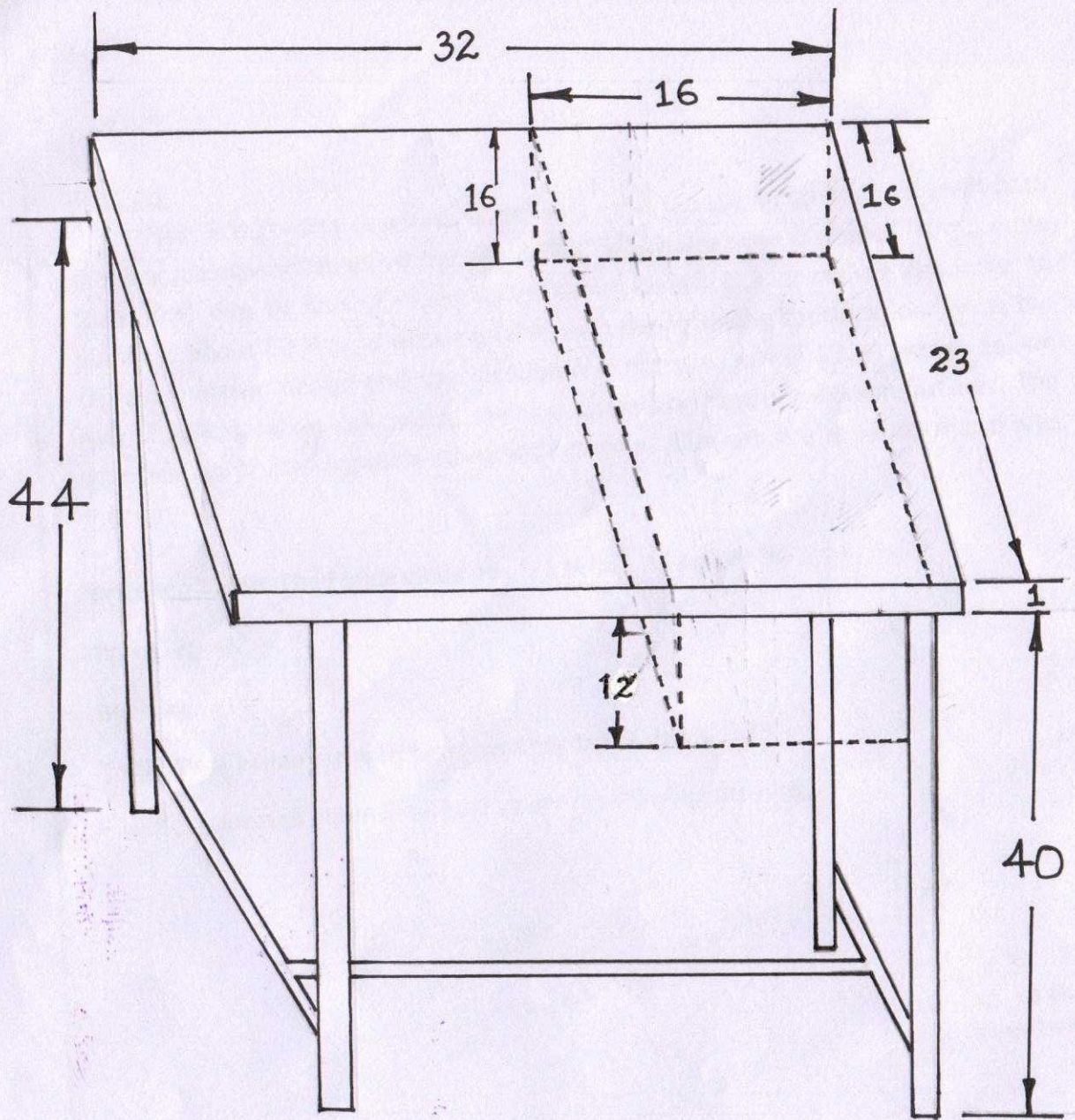
Sl. No	Item Description	Rate in Rs.	Taxes if any	Total
1.	Drawing Table: Frame made up of 1 1/2" x 1 1/2" square MS Pipe. Front leg-40" ,Back leg-44" , Table top made up of 12mm ply with 1mm mica pasting of size 32"x23", Fixed box size and other details are as per the attached drawing.			

Memo No. 258 /dated 24.06.2020

Copy to Account Section of the Institution for information and necessary action. The expenditure to this effect may be met out of RUSA fund of the Institution.

Memo No. 259 /dated 24.06.2020

Copy to Notice Board of the Institution/Collectorate, Boudh/ DIC, Boudh/ Employment Office, Boudh/ Web-site of the Institution for wide circulation among the public.



ALL SPECIFICATIONS ARE IN INCH

Himanshu
29/6/20
H.S. Jena
Lecturer in Automobile Engg.

S.P. Rout
29.06.2020
S.P. ROUT
Lecturer in Mechanical Engg.